

受 控

SPECIFICATION

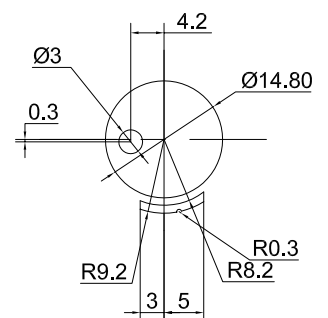
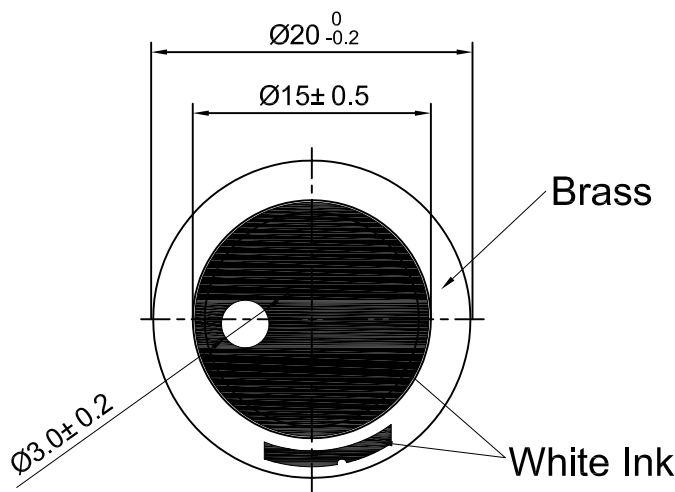
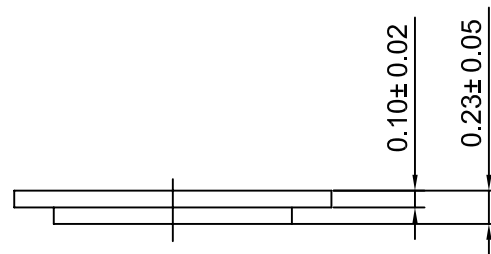
1. SCOPE

This specification is applied to the piezo-element.

2. SPECIFICATION

(at 25°C)

- | | | |
|---------------------------|---|-------------------------|
| 2.1 Resonant Frequency | : | 3.0~4.5 KHz |
| 2.2 Resonant Resistace | : | 250 Ω max |
| 2.3 Capacitance | : | 30000 pF ± 30% at 100Hz |
| 2.4 Input Voltage | : | 30 Vp-p max |
| 2.5 Operating Temperature | : | -20~+75°C |
| 2.6 Storage Temperature | : | -30~+85°C |
| 3. DIMENSION | : | as per figure |



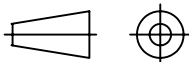
附丝印图尺寸

TOLERANCES UNLESS NOTED OTHERWISE

.X ±
.XX ±
.XXX ±

90° FORMED +2°
ANGLES -1°

FIRST ANGLE PROJECTION



DRAWN	汪逸
DESIGN	
CHECKED	
APPROVED	徐锦生
DATE	11.11.01
CONTRACT NO.	

AGENCY APPROVAL

KEPO MODEL NO.

FT-20T-3.6A1
(White)

DWG NO.

KP3.841.822.04

KEPO CO., LTD.

CUSTOMER

CUSTOMER NO.

VER	1.0	SCALE	
UNIT	mm	SHEET	

TEL: (+86)574-88370330
FAX: (+86)574-88370329